

BOT-130



DESCRIPTION

A waste container of **130 L (34 US gal)** made of polypropylene.

- Its body is firm and robust.
- Heavy-duty under harsh conditions.
- UV protection.
- Weather-resistant.
- It has a detachable lid.
- It's easy to stack when it's empty.

FUNCTIONALITY

The **BOT-130** is designed for the deposit of residues.

- It's a convenient and user-friendly waste container.
- Its lid avoids bad odors from leaking.

CUSTOMIZATION

It can be labeled with the legend of the type of material it contains or your logo according to your needs.

FEATURES

CAPACITY: 130 L (34 US gal)

WEIGHT: 8.03 lb.

COLORS: Black, blue, green, yellow, orange, and gray.

MEASURES:

Diameter: 20.28 in.

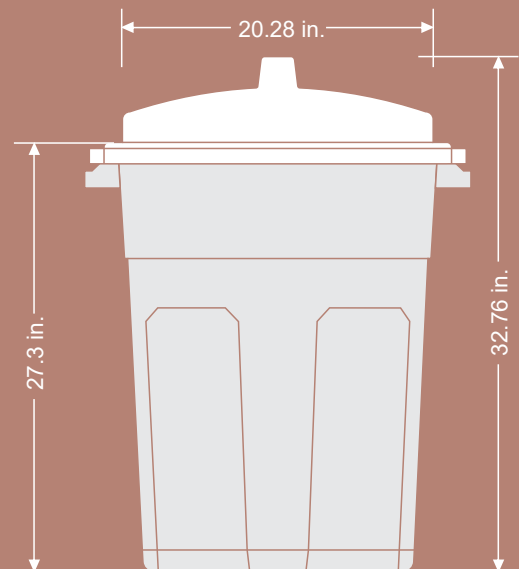
Container height: 27.3 in.

Total height: 32.76 in.

Pieces per pallet: 68 pieces

Pallets per 40'HC container: 20

Pallets per 48 ft trailer: 24



PERFECT FOR INDUSTRIAL AREAS

