

HEXAGONAL WASTE CONTAINER 2000



DESCRIPTION

- The material of the **HEXAGONAL WASTE CONTAINER** is medium-density polyethylene through a rotational molding process that gathers higher resistance to impacts and avoids deformations.
- It has two parts: a waste container and a lid.
- This affordable large capacity trash container is perfect for high-traffic areas.
- It doesn't dent, shatter, wear or tear.
- Its lid is detachable.
- UV protection.
- It's resistant to weather conditions.
- Hexagonal shape and round base.
- The opening avoids the deposit of larger trash bags.

FUNCTIONALITY

- The design of the **HEXAGONAL WASTE CONTAINER 2000** makes it perfect for waste collection in gas stations, service centers, and even auto repair shops.
- It serves as a temporary waste container.
- Easy to clean.
- Avoids sources of infection.
- You can add a liner bag to avoid sources of infection.

CUSTOMIZATION

According to your needs, it can be labeled with your logo or the type of material it contains.

FEATURES

CAPACITY: 100 L (26.40 US gal).

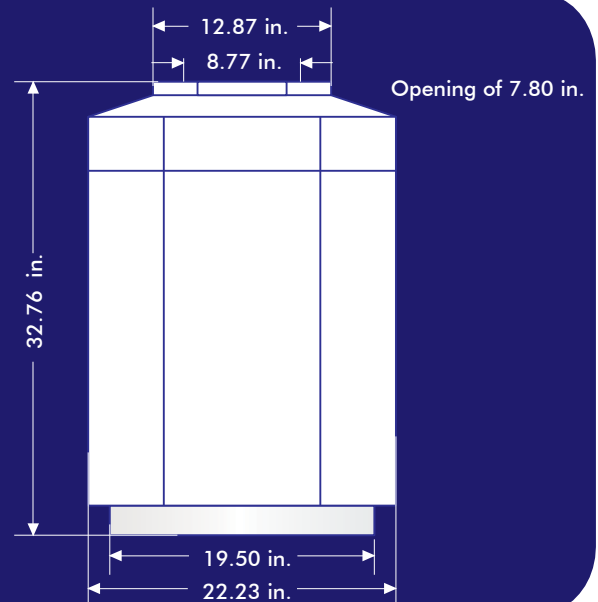
COLOR: Light gray and green.

WASTE CONTAINER MEASURES:

Outer diameter: 22.23 in.

Inner diameter: 19.50 in.

Height: 32.76 in.



Volumes, dimensions, and other measures may vary by approximately 2%.



PERFECT FOR INDUSTRIAL AREAS, AUTO REPAIR SHOPS, GAS STATIONS, AND SERVICE CENTERS.

