

# CANG DB

## WASTEBASKET WITH A HANGING WASTE BASKET



Wastebasket

Hanging Waste Basket



### DESCRIPTION

The material of the **CANG DB** is HDPE in two parts through an injection molding process which gathers higher resistance to impacts and avoids deformations.

- The **Hanging Waste Basket** clips onto a **Wastebasket** thanks to its two plastic hooks.
- UV protection.
- Highly resistant to weather conditions.

### FUNCTIONALITY

The main objective of the **CANG DB** is to separate office waste.

- For its installation, you will only need two M shape plastic hooks that easily clip on the top of both containers.
- You can attach the **Hanging Waste Basket** to any side of the **Deskside Container**.

### CUSTOMIZATION

According to your needs, it can be labeled with your logo or the type of material it contains.

## FEATURES

**COLORS:** Beige, black, gray, and blue.

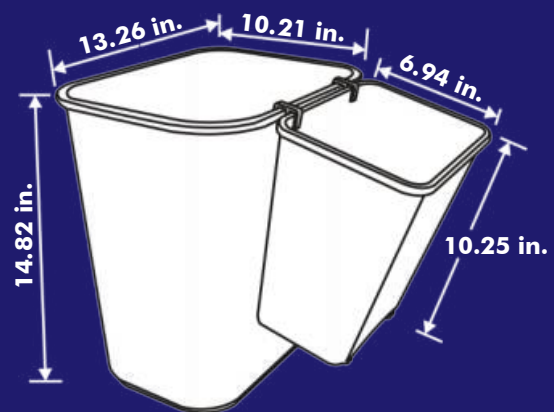
### MEASURES

**Hanging Waste Basket of 8 L (2.11 US gal):**

**Length:** 9.55 in.  
**Width:** 6.94 in.  
**Height:** 10.25 in.

**Wastebasket of 25 L (6.6 US gal):**

**Length:** 13.26 in.  
**Width:** 10.21 in.  
**Height:** 14.82 in.



Volumes, dimensions, and other measures may vary by approximately 2%.

