

SWING TOP RECYCLING BIN 90 L

A/EC-BCTB90



DESCRIPTION

The material of the **RECYCLING BIN 90 L** is HDPE which grants it higher resistance to impacts and avoids deformations.

- UV protection.
- It's resistant to weather conditions.
- The swivel opening facilitates its filling and at the same time avoids the deposit of larger trash bags.
- Built-in handles for easy maneuver.
- Stackable.
- Low costs of investment and maintenance.
- Easy to empty.

FUNCTIONALITY

- The **RECYCLING BIN 90 L** is perfect indoors and outdoors.
- Perfect for waste separation and keeps public spaces clean.
- It has the option of turning them into a recycling station.
- Ideal for universities, hospitals, offices, apartments, restaurants, households, etc.

CUSTOMIZATION

According to your needs, it can be labeled with your logo or the type of material it contains.

FEATURES

RECYCLING BIN CAPACITY: 90 L (23.76 US gal).

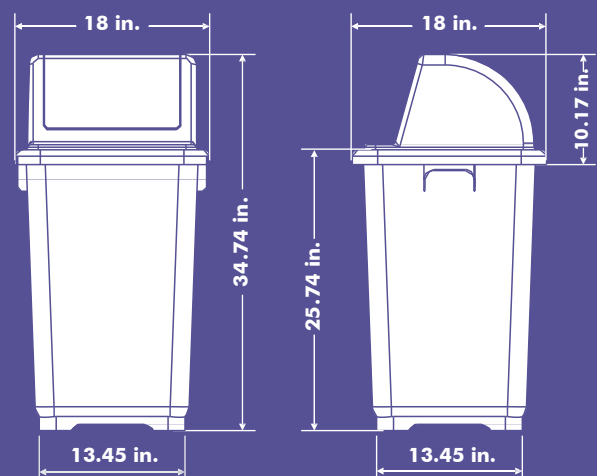
COLORS: Green, blue, yellow, gray, red, and orange.

MEASURES:

Length: 17.94 in.

Width: 17.94 in.

Height: 34.74 in.



FRONT VIEW

SIDE VIEW

Volumes, dimensions, and other measures are nominal and may vary by approximately 2%.

