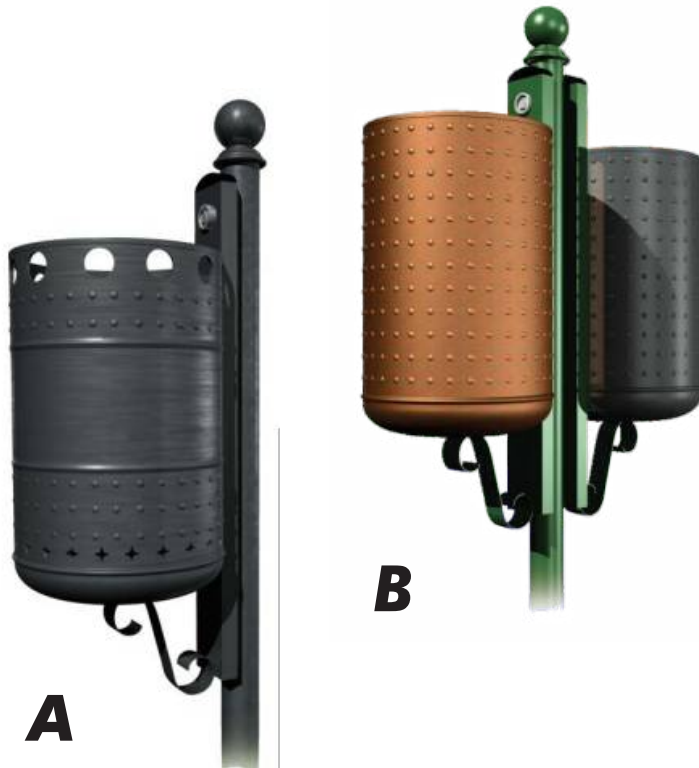


# CAPRI A & B

## POLE MOUNT TRASH CAN



### DESCRIPTION

The **CAPRI A & B Pole Mount Trash Cans** are made of steel in one piece and are resistant to any weather conditions.

- Double protection against rust and corrosion.
- Highly resistant to any weather conditions.
- Its various modern punching designs, without sharp edges or corners, grant it a higher functionality outdoors.
- Black, bronze, and old gold finishes.
- It can be fixed on poles, walls, streetlights, traffic lights, PTR poles, or on a plate to be fixed on the floor (the pole is not included.)

### FUNCTIONALITY

- The **CAPRI A & B Pole Mount Trash Can** is perfect for the outdoors.
- It serves to deposit waste and keep public spaces clean.
- Perfect for public roadways.
- It has the option of adding two containers.

### CUSTOMIZATION

According to your needs, it can be labeled with your logo or the type of material it contains.

### FEATURES

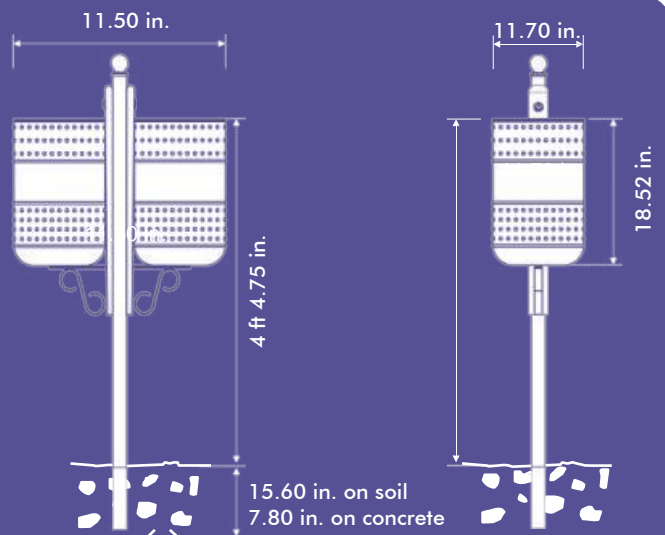
**CAPACITY:** 30 L (7.92 US gal).

**COLORS:** Black, gray, bronze, and old gold.

**MEASURES:**

**Diameter:** 11.70 in.

**Height:** 18.52 in.



Volumes, dimensions, and other measures are nominal and may vary by approximately 2%.