

CHAISE-STYLE BENCH

CODE: TOLEDO

DESCRIPTION

The Chaise-Style Bench supports a comfortable reclined position, making it an ideal feature for overlooks, park landscapes, garden spaces, and locations with wide scenic views or reflective water elements. With an ergonomic configuration that supports a relaxed, reclined posture, it becomes an excellent addition to overlooks, park landscapes, garden areas, and locations offering wide scenic views or bodies of water.

Available in two versions: all-steel or steel combined with wood.



FEATURES

- All-steel version: Manufactured from high-strength carbon steel for superior resistance
- Steel-and-wood version: Metal structure paired with pine wood finished with specialized outdoor sealers
- Spacious seating area designed to comfortably accommodate two to three people
- UV-protected materials to withstand continuous sun exposure
- Wood treated for moisture resistance, fungal protection, and termite prevention.
- Steel safeguarded with an anti-corrosive coating and a durable oven-baked paint finish



Weather-change resistant



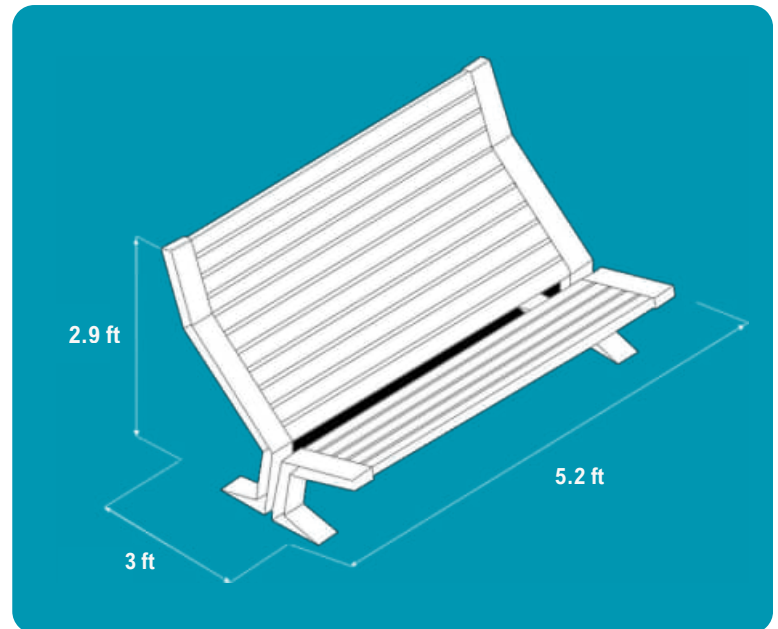
Manufactured from recyclable and sustainable materials



Impact- and deformation-resistant

DIMENSIONS

| | |
|---|--------------|
|  Length | 5.2 ft |
|  Width | 3 ft |
|  Height | 2.9 ft |
|  Seating capacity | 2 - 3 people |
|  Weight | 136.6 lb |



DESIGN & USE

- Provides a comfortable reclined posture that supports the legs and back, making it ideal for relaxation, contemplation, or reading
- Well suited for overlooks, parks, and spaces with natural or city views, encouraging users to stop and appreciate their surroundings
- Built from robust materials (steel or treated wood), allowing it to function independently in outdoor environments
- Easily incorporated into urban, tourist, or recreational design projects

Comfort and durability
for any setting

CHAISE-STYLE BENCH