

JUNGLE BENCH

CODE: BANCA SELVA

DESCRIPTION

The Jungle Bench combines a timeless design with contemporary material technology, delivering a durable, functional, and aesthetically balanced solution for public spaces. Its arched polymer structure—engineered for high strength and crafted to resemble cast iron—provides stability and refined style, while the customizable seat and backrest materials enhance comfort and environmental compatibility.

The 70.9-inch and 118.1-inch models are manufactured with three structural supports, and larger formats can be developed by adding additional supports to extend the bench length.



FEATURES

- Manufactured from high-strength polymer
- Wood planks finished with marine-grade polymer for long-lasting durability
- Plastic lumber boards
- 12-gauge steel sheet that allows laser cutting to include logos, decorative designs, or institutional designs
- Engineered for use in saline atmospheres or extreme thermal conditions



Weather-change resistant







Manufactured from recyclable and sustainable materials



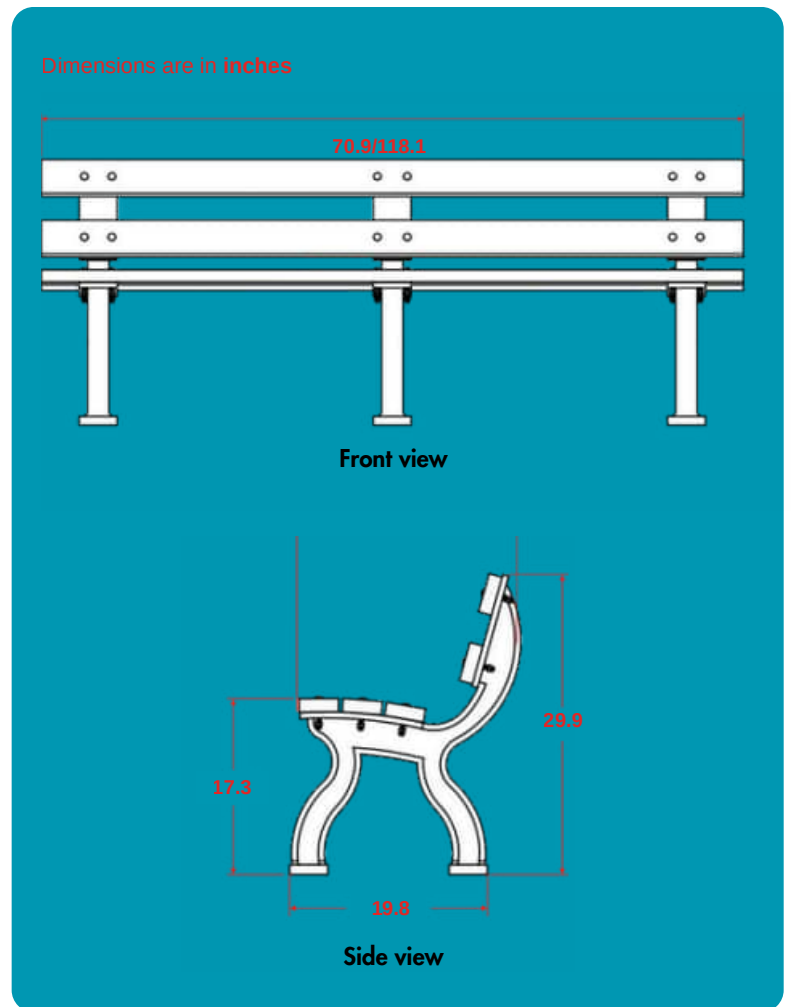
Designed for outdoor spaces

DIMENSIONS

 Length	70.9 - 118.1 in
 Width	23.2 in
 Height	29.9 in
 Seating capacity	3 - 5 people

DESIGN & USE

- Designed for sustainability-driven urban development initiatives
- Designed with versatile materials and refined aesthetics, it harmonizes effortlessly with both contemporary and classic settings
- Appropriate for plazas, park landscapes, school campuses, transit nodes, and heritage zones
- Configured with three structural supports, with the ability to incorporate more to extend length while preserving firmness and structural integrity



Comfort and durability
For any setting
JUNGLE BENCH