

# BAN-BE-C BELMONT BENCH

CODE: BAN-BE-C

## DESCRIPTION

The BAN-BE-C Belmont Bench combines modern design, durability, and functionality in a solution engineered to transform any urban environment. Manufactured from high-strength polymer, it is highly durable, resistant to impacts and UV rays, and vandal-proof, making it a reliable, low-maintenance choice for both public and private areas.

Designed for up to four people, its curved modular form, integrated lighting, and optional technology features deliver both comfort and a modern, interactive experience.



## FEATURES

- Manufactured from high-strength polymer
- Durable against impacts, ultraviolet exposure, and vandalism
- Straight modular layout with curved frame design
- Accommodates up to 4 users
- Optional technological features:
  - Bluetooth audio
  - Mobile phone connection
  - Built-in internal lighting
- Customizable with corporate or institutional logos
- Quick and secure installation with stable base






Weather-change resistant



Built-in reabsorption mechanism

## DIMENSIONS

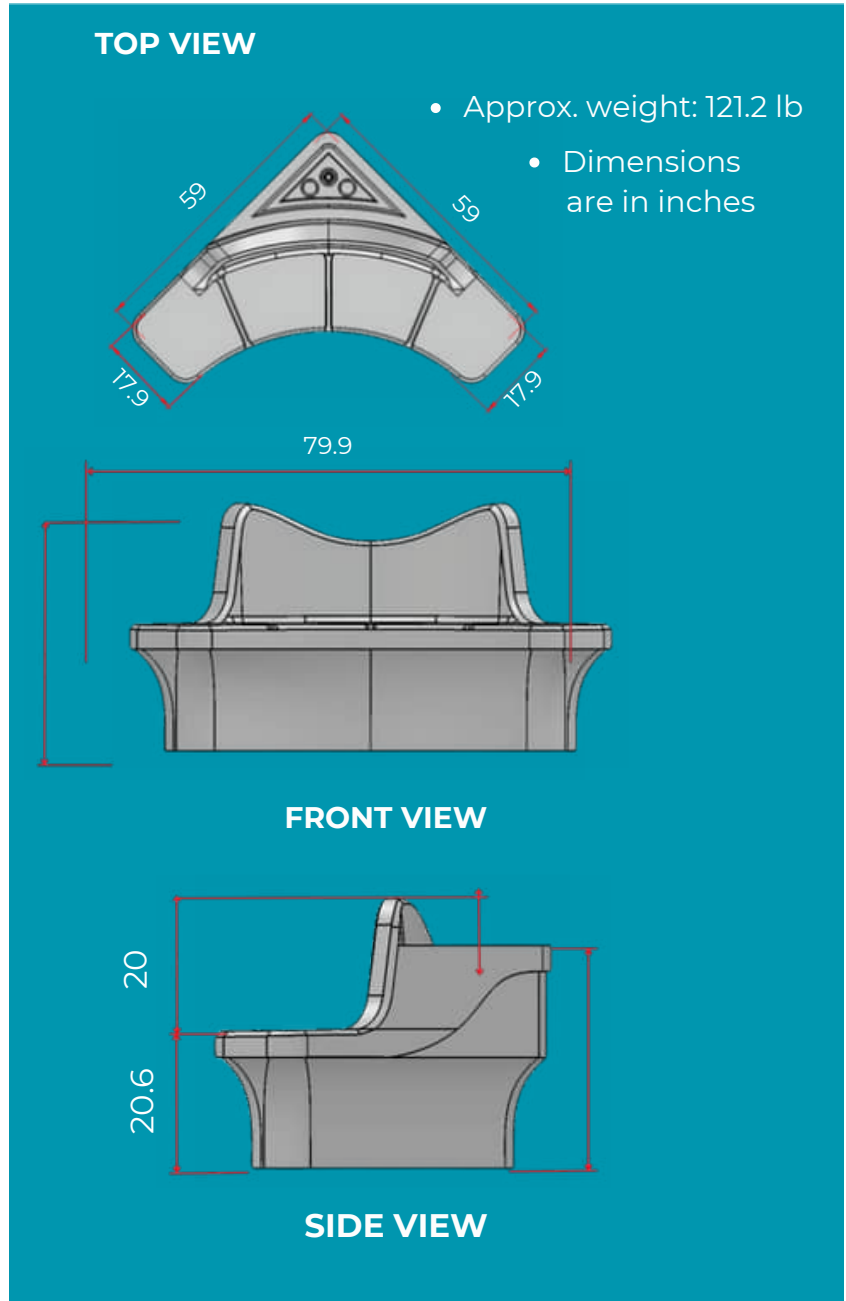
 Length	79.9 in
 Width	35.1 in
 Height	40.5 in

## AVAILABLE COLORS

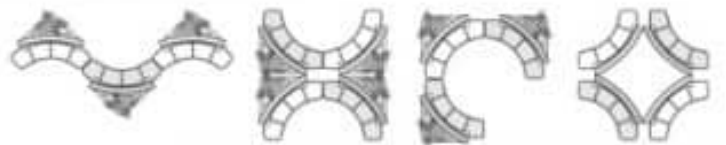


## DESIGN & USE

- Delivers safe, comfortable seating in both public and private areas
- Supports versatile configurations for flexible urban design solutions
- Adds lighting and decorative appeal during nighttime
- Enables interactive experiences with built-in audio and mobile connectivity
- Strengthens brand presence with personalized logo options
- Enhances and modernizes urban spaces
- Built to endure intensive use and challenging climatic conditions



Examples of versatile configurations are:



Comfort and durability for any setting  
**BAN-BE-C BELMONT BENCH**